

AVIZARE PRODUSE NOI
NR. 16/27.09.2021

1. Denumire produs: Statii de dedurizare cu rasina schimbatoare de ioni SOFT SIMPLEX si SOFT TWIN.



VALROM Industrie completeaza sistemul cu produsele mai jos mentionate. Aceste produse sunt incluse in clasa **PRD**, subclasa **IPITSOFT** - Instalatii de tratare/dedurizare a apei **PRD**, categoria **C** – articole PBC si au urmatoarele coduri si preturi incepand cu data de 04.10.2021:

Preturile sunt in LEI si nu includ TVA

CLS	SUB CLS	COD ARTICOL NOU	DENUMIRE ARTICOLE NOI	UM	ABC	PRET CATALOG [LEI/UM]
PRD	IPITSOFT	AQUA09111075035	STATIE DEDURIZARE SOFT 75 SIMPLEX Q3,5mc/h BYPASS	BUC	C	5.278,12
PRD	IPITSOFT	AQUA09111100040	STATIE DEDURIZARE SOFT 100 SIMPLEX Q4,0mc/h BYPASS	BUC	C	6.173,32
PRD	IPITSOFT	AQUA09111125050	STATIE DEDURIZARE SOFT 125 SIMPLEX Q5,0mc/h BYPASS	BUC	C	7.116,36
PRD	IPITSOFT	AQUA09111175060	STATIE DEDURIZARE SOFT 175 SIMPLEX Q6,0mc/h BYPASS	BUC	C	9.850,14
PRD	IPITSOFT	AQUA09111225070	STATIE DEDURIZARE SOFT 225 SIMPLEX Q7,0mc/h BYPASS	BUC	C	12.667,30
PRD	IPITSOFT	AQUA09120025013	STATIE DEDURIZARE SOFT 25 TWIN Q1,3mc/h BYPASS	BUC	C	7.055,22
PRD	IPITSOFT	AQUA09120037018	STATIE DEDURIZARE SOFT 37 TWIN Q1,8mc/h BYPASS	BUC	C	7.701,16
PRD	IPITSOFT	AQUA09120050024	STATIE DEDURIZARE SOFT 50 TWIN Q2,4mc/h BYPASS	BUC	C	8.441,50
PRD	IPITSOFT	AQUA09120075035	STATIE DEDURIZARE SOFT 75 TWIN Q3,5mc/h BYPASS	BUC	C	9.180,30
PRD	IPITSOFT	AQUA09120100040	STATIE DEDURIZARE SOFT 100 TWIN Q4,0mc/h BYPASS	BUC	C	10.969,98
PRD	IPITSOFT	AQUA09120125050	STATIE DEDURIZARE SOFT 125 TWIN Q5,0mc/h BYPASS	BUC	C	13.088,68
PRD	IPITSOFT	AQUA09120175058	STATIE DEDURIZARE SOFT 175 TWIN Q5,8mc/h BYPASS	BUC	C	17.507,98
PRD	IPITSOFT	AQUA09120225063	STATIE DEDURIZARE SOFT 225 TWIN Q6,3mc/h BYPASS	BUC	C	20.747,16

1.1 Motivatia completarii/inlocuirii:

Competitivitate, completare gama.

1.2 Produsele inlocuite:

COD ARTICOL productie VALROM	DENUMIRE NOU productie VALROM	COD ARTICOL echivalent	DENUMIRE ARTICOL echivalent	UM	ABC articol echivalent
AQUA0911107 5035	STATIE DEDURIZARE SOFT 75 SIMPLEX Q3,5mc/h BYPASS	87110430125	STATIE FU-1354 CE 75L Q4,3mc/h BY-PASS	BUC	C
AQUA0911110 0040	STATIE DEDURIZARE SOFT 100 SIMPLEX Q4,0mc/h BYPASS	87110400100	STATIE DEDUR FU-1465 CE 100KG Q=4,0mc/h	BUC	C
AQUA0912002 5013	STATIE DEDURIZARE SOFT 25 TWIN Q1,3mc/h BYPASS	87120016125	STATIE TWIN FU- 1035CE2x25L Q1,6mc/h BY- P	BUC	C
AQUA0912003 7018	STATIE DEDURIZARE SOFT 37 TWIN Q1,8mc/h BYPASS	87120025125	ST TWIN FU-1054CE2x37L Q2,5mc/h BY-PASS	BUC	C
AQUA0912007 5035	STATIE DEDURIZARE SOFT 75 TWIN Q3,5mc/h BYPASS	87120043125	ST TWIN FU- 1354CE2x62,5LQ4,3mc/h BY-PASS	BUC	C
AQUA0912010 0040	STATIE DEDURIZARE SOFT 100 TWIN Q4,0mc/h BYPASS	87120050125	STATIE TWIN FU- 1465CE2x75L Q5,0mc/h BY- P	BUC	C
AQUA0912012 5050	STATIE DEDURIZARE SOFT 125 TWIN Q5,0mc/h BYPASS	87120062136	ST TWIN FU-1665CE 2x125LQ6,2mc/h BY-PASS	BUC	C
AQUA0912022 5063	STATIE DEDURIZARE SOFT 225 TWIN Q6,3mc/h BYPASS	87120068400	ST TWIN FU-2162CE 2x200LQ6,8mc/h BY-PASS	BUC	C

2. Furnizor:

SC VALROM INDUSTRIE SRL

3. Termen de livrare:

3-5 zile de la comanda

4. Garantie:

2 ani de la livrare cu respectarea instructiunilor de manipulare tranport, depozitare, montare si utilizare.
Rasina are o durata de utilizare de 5 ani.

5. Modalitate de ambalare produs:

Pentru statiile SOFT SIMPLEX pachetul de livrare cuprinde: 1 tanc pentru rasina, cantitatea de rasina corespunzatoare modelului (1sac=25l=20kg), vana de control, vas pentru saramura, bypass cu conectori si cantitatea corespunzatoare de tub de 3/8.

Pentru statiile SOFT TWIN pachetul de livrare cuprinde: 2 tancuri pentru rasina, cantitatea de rasina corespunzatoare modelului (1sac=25l=20kg), vana de control, vas pentru saramura, bypass cu conectori si cantitatea corespunzatoare de tub de 3/8.

COD ARTICOL	DENUMIRE ARTICOL	UM	AMBALARE [BUC/PALET]
AQUA09111075035	STATIE DEDURIZARE SOFT 75 SIMPLEX Q3,5mc/h BYPASS	BUC	1
AQUA09111100040	STATIE DEDURIZARE SOFT 100 SIMPLEX Q4,0mc/h BYPASS	BUC	1
AQUA09111125050	STATIE DEDURIZARE SOFT 125 SIMPLEX Q5,0mc/h BYPASS	BUC	1
AQUA09111175060	STATIE DEDURIZARE SOFT 175 SIMPLEX Q6,0mc/h BYPASS	BUC	1
AQUA09111225070	STATIE DEDURIZARE SOFT 225 SIMPLEX Q7,0mc/h BYPASS	BUC	1
AQUA09120025013	STATIE DEDURIZARE SOFT 25 TWIN Q1,3mc/h BYPASS	BUC	1
AQUA09120037018	STATIE DEDURIZARE SOFT 37 TWIN Q1,8mc/h BYPASS	BUC	1
AQUA09120050024	STATIE DEDURIZARE SOFT 50 TWIN Q2,4mc/h BYPASS	BUC	1
AQUA09120075035	STATIE DEDURIZARE SOFT 75 TWIN Q3,5mc/h BYPASS	BUC	1
AQUA09120100040	STATIE DEDURIZARE SOFT 100 TWIN Q4,0mc/h BYPASS	BUC	1
AQUA09120125050	STATIE DEDURIZARE SOFT 125 TWIN Q5,0mc/h BYPASS	BUC	1
AQUA09120175058	STATIE DEDURIZARE SOFT 175 TWIN Q5,8mc/h BYPASS	BUC	1*
AQUA09120225063	STATIE DEDURIZARE SOFT 225 TWIN Q6,3mc/h BYPASS	BUC	1*

*statiile sunt ambalate pe doi paleti

6.Dimensiuni de gabarit si masa pentru ambalaj si UM:

6.1 Statii dedurizare SOFT SIMPLEX

COD ARTICOL	DENUMIRE ARTICOL	UM	Masa/UM [kg]	Volum/UM [m ³]	Lungime ambalaj* [m]	Latime ambalaj* [m]	Inaltime palet+ produs** [m]	Volum palet+ produs [m ³]	Masa palet+ produs [kg]
AQUA09111075035	STATIE DEDURIZARE SOFT 75 SIMPLEX Q3,5mc/h BYPASS	BUC	79	0.37	1.2	0.8	1.60	0.51	94
AQUA09111100040	STATIE DEDURIZARE SOFT 100 SIMPLEX Q4,0mc/h BYPASS	BUC	105	0.51	1.2	0.8	1.97	0.65	120

AQUA09111125050	STATIE DEDURIZARE SOFT 125 SIMPLEX Q5,0mc/h BYPASS	BUC	129	0.61	1.2	0.8	1.99	0.75	144
AQUA09111175060	STATIE DEDURIZARE SOFT 175 SIMPLEX Q6,0mc/h BYPASS	BUC	187	0.99	1.2	0.8	2.10	1.13	202
AQUA09111225070	STATIE DEDURIZARE SOFT 225 SIMPLEX Q7,0mc/h BYPASS	BUC	231	1.16	1.2	0.8	2.15	1.30	246

*ambalarea se face pe un palet

**inaltimea celui la inalt component al statiei

6.2. Statii dedurizare SOFT TWIN

COD ARTICOL	DENUMIRE ARTICOL	UM	Masa/UM [kg]	Volum/UM [m ³]	Lungime Ambalaj* [m]	Latime Ambalaj* [m]	Inaltime palet+ produs** [m]	Volum palet+ produs [m ³]	Masa palet+ produs [kg]
AQUA09120025013	STATIE DEDURIZARE SOFT 25 TWIN Q1,3mc/h BYPASS	BUC	62	0.28	1.2	0.8	1.35	0.42	77
AQUA09120037018	STATIE DEDURIZARE SOFT 37 TWIN Q1,8mc/h BYPASS	BUC	86	0.38	1.2	0.8	1.45	0.52	101
AQUA09120050024	STATIE DEDURIZARE SOFT 50 TWIN Q2,4mc/h BYPASS	BUC	108	0.49	1.2	0.8	1.45	0.63	123

AQUA09120075035	STATIE DEDURIZARE SOFT 75 TWIN Q3,5mc/h BYPASS	BUC	148	0.64	1.2	0.8	1.60	0.78	163
AQUA09120100040	STATIE DEDURIZARE SOFT 100 TWIN Q4,0mc/h BYPASS	BUC	198	0.87	1.2	0.8	1.97	1.01	213
AQUA09120125050	STATIE DEDURIZARE SOFT 125 TWIN Q5,0mc/h BYPASS	BUC	247	1.05	1.2	0.8	1.99	1.19	262
AQUA09120175058	STATIE DEDURIZARE SOFT 175 TWIN Q5,8mc/h BYPASS	BUC	353	1.63	2.4	1.6	2.10	1.91	383
AQUA09120225063	STATIE DEDURIZARE SOFT 225 TWIN Q6,3mc/h BYPASS	BUC	443	1.98	2.4	1.6	2.15	2.26	473

***ambalarea se face pe un palet (2 paleti in cazul SOFT 175 si 225 TWIN)**

**** inaltimea celui la inalt component al statiei**

7. Domenii de utilizare:

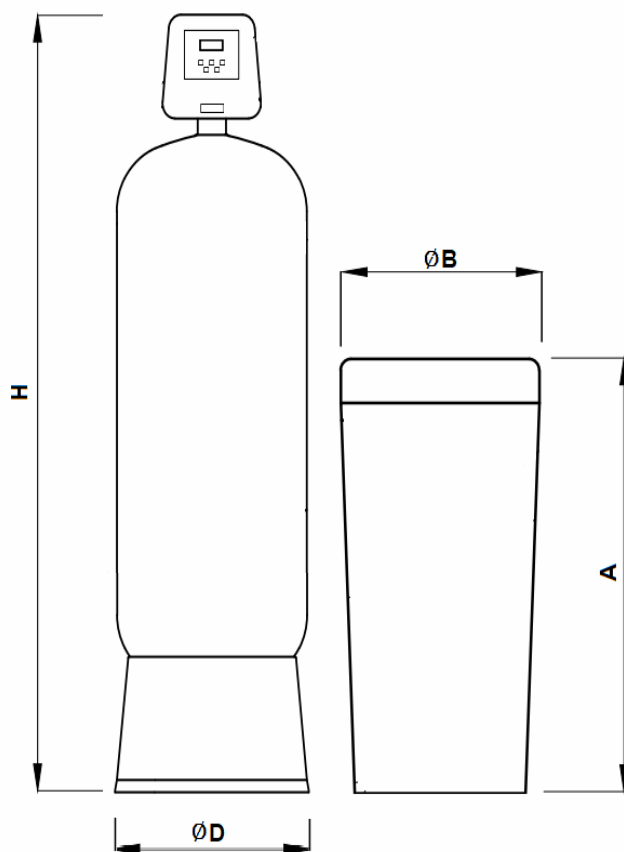
Statiile pentru dedurizare **SOFT SIMPLEX** si **SOFT TWIN** se utilizeaza pentru reducerea duritatii din apa. Statiile SOFT TWIN, avand o unitate(tanc cu rasina) activa si una in rezerva, furnizeaza permanent apa dedurizata prin alternarea fluxului de apa intre cele doua unitati. Vana de control masoara volumul de apa care trece prin unitate activa, comuta, la epuizarea capacitatii, pe unitatea in rezerva si incepe regenerarea unitatii epuizate.

Cerinte de calitate a apei de alimentare pt. statiile dedurizare **SOFT SIMPLEX** si **TWIN**:


- Particule < 100 microni;
- Fe < 0,2 mg/l;
- Mn < 0,05 mg/l;
- Duritate maxima 42 °G (dH)
- Pura din punct de vedere microbiologic.

8. Caracteristici tehnice:

8.1 Statii dedurizare SOFT SIMPLEX

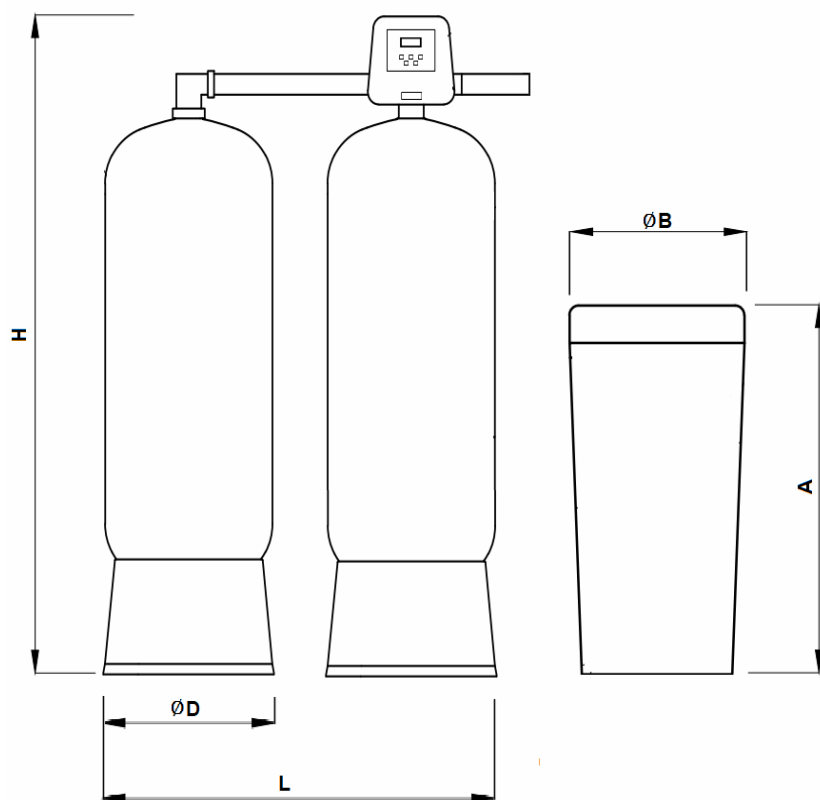


Model produs	H [mm]	ØD [mm]	A [mm]	ØB [mm]
SOFT 75 SIMPLEX	1585	335	875	460
SOFT 100 SIMPLEX	1860	370	950	516
SOFT 125 SIMPLEX	1890	415	950	516
SOFT 175 SIMPLEX	1905	495	740	1275
SOFT 225 SIMPLEX	1905	560	740	1275


	Produs Nou					
	Cod Valrom	AQUA091 11075035	AQUA091 11100040	AQUA091 11125050	AQUA091 11175060	AQUA09111 225070
	Model	SOFT 75 SIMPLEX	SOFT 100 SIMPLEX	SOFT 125 SIMPLEX	SOFT 175 SIMPLEX	SOFT 225 SIMPLEX
	By-pass inclus	DA				
	Tip echipament	SIMPLEX (tancul cu rasina este separat de vasul cu saramura)				
	Alimentare electrica	230 V, 50/60 Hz				
	Consumul de energie	10W				
	Mod de control vana	Mixt (volum sau timp)				
	Dimensiuni racord IN/OUT	1"	1"	1"	1"	1 1/4"
Racord canalizare ["]	3/4" FE	3/4" FE	3/4" FE	3/4" FE	1" FE	
Debit nominal [m ³ /h]	3.5	4.0	5.0	6.0	7.0	
Presiune de lucru [bar]	2-6					
Volum mediu filtrant* [L]	75	100	125	175	225	
Temperatura apei [°C]	5- 23					
Capacitate ciclica = m ³ x °G	225	300	375	525	675	
Consum sare pe regenerare aprox. [kg]	8.....11	10.....15	13.....18	18.....25	23.....32	
Consum apa pentru o regenerare aprox [m ³]	0.75	1.0	1.2	1.7	2.2	
Distanta intre baza si racord canalizare [mm]	1550	1825	1855	1870	1870	
Distanta intre baza si racorduri IN/OUT [mm]	1450	1725	1755	1770	1770	
Distanta intre baza si racord prea-plin [mm]	680	680	680	800	800	
Timp regenerare aprox. [min.]	90	110	110	130	150	
Capacitate rezervor sare [kg]	115	155	155	290	290	

* 25l=20kg=1sac


8.2 Statii dedurizare SOFT TWIN



Model produs	H [mm]	ØD [mm]	L [mm]	A [mm]	ØB [mm]
SOFT 25 TWIN	1265	240	710	815	400
SOFT 37 TWIN	1570	270	740	875	460
SOFT 50 TWIN	1425	315	785	875	460
SOFT 75 TWIN	1590	350	1040	875	460
SOFT 100 TWIN	1865	370	1060	950	516
SOFT 125 TWIN	1895	415	1105	950	516
SOFT 175 TWIN	1910	495	1185	1275	740
SOFT 225 TWIN	1910	560	1250	1275	740

		Produs Nou			
	Cod Valrom	AQUA09120 025013	AQUA0912 0037018	AQUA0912 0050024	AQUA09120 075035
	Model	SOFT 25 TWIN	SOFT 37 TWIN	SOFT 50 TWIN	SOFT 75 TWIN
	By-pass inclus	DA			
	Tip echipament	TWIN (tancurile cu rasina sunt separate de vasul cu saramura)			
	Alimentare electrica	230 V, 50/60 Hz			
	Consumul de energie	10W			
	Mod de control vana	Volum			
	Racord IN/OUT	1"			
Racord canalizare ["]	3/4" FE				
Debit nominal [m ³ /h]	1.3	1.8	2.4	3.5	
Presiune de lucru [bar]	2.0 - 6.0 bar				
Volum mediu filtrant/unitate* [L]	25	37	50	75	
Temperatura apei [°C]	5 - 23 °C				
Capacitate ciclica = m ³ x °G/unitate	75	110	150	225	
Consum sare pentru o regenerare/unitate [kg]	2.5....3.5	3.7.....5	5.....7	8.....11	
Consum apa pentru o regenerare aprox. [m ³]	0.25	0.37	0.5	0.75	
Distanta intre baza si racord canalizare [mm]	1245	1550	1405	1570	
Distanta intre baza si racorduri IN/OUT [mm]	1135	1440	1295	1460	
Distanta intre baza si racord prea-plin [mm]	680	680	680	680	
Timp regenerare aprox. [min.]	60	80	80	100	
Capacitate rezervor sare [kg]	80	80	115	115	

* 25l=20kg=1sac

		Produs Nou			
	Cod Valrom	AQUA09120 100040	AQUA0912 0125050	AQUA0912 0175058	AQUA09120 225063
	Model	SOFT 100 TWIN	SOFT 125 TWIN	SOFT 175 TWIN	SOFT 225 TWIN
	By-pass inclus	DA			
	Tip echipament	TWIN (tancurile cu rasina sunt separate de vasul cu saramura)			
	Alimentare electrica	230 V, 50/60 Hz			
	Consumul de energie	10W			
	Mod de control vana	Volum			
	Racord IN/OUT	1"			
Racord canalizare ["]	3/4" FE	3/4" FE	3/4" FE	1" FE	
Debit nominal [m ³ /h]	4.0	5.0	5.8	6.3	
Presiune de lucru [bar]	2.0 - 6.0 bar				
Volum mediu filtrant*/unitate [L]	100	125	175	225	
Temperatura apei [°C]	5 - 23 °C				
Capacitate ciclica = m ³ x °G/unitate	300	375	525	675	
Consum sare pentru o regenerare/unitate [kg]	10.....15	13.....18	18.....25	23.....32	
Consum apa pentru o regenerare aprox. [m ³]	1.0	1.2	1.7	2.2	
Distanta intre baza si racord canalizare [mm]	1845	1875	1890	1890	
Distanta intre baza si racorduri IN/OUT [mm]	1735	1765	1780	1780	
Distanta intre baza si racord prea-plin [mm]	680	680	800	800	
Timp regenerare aprox. [min.]	110	110	135	150	
Capacitate rezervor sare [kg]	155	155	290	290	

* 25l=20kg=1sac

9. Mod de distributie si valori de stoc initiale:

Toate articolele sunt pe baza de comanda.

10. Coduri EAN

Denumire articol	Denumire scurta	Cod intern	Tip cod	GTIN
STATIE DEDURIZARE SOFT 75 SIMPLEX Q3,5mc/h BYPASS	SOFT 75 SIMPLEX	AQUA09111075035	ean13	5945768049081
STATIE DEDURIZARE SOFT 100 SIMPLEX Q4,0mc/h BYPASS	SOFT 100 SIMPLEX	AQUA09111100040	ean13	5945768049098
STATIE DEDURIZARE SOFT 125 SIMPLEX Q5,0mc/h BYPASS	SOFT 125 SIMPLEX	AQUA09111125050	ean13	5945768049104
STATIE DEDURIZARE SOFT 175 SIMPLEX Q6,0mc/h BYPASS	SOFT 175 SIMPLEX	AQUA09111175060	ean13	5945768049111
STATIE DEDURIZARE SOFT 225 SIMPLEX Q7,0mc/h BYPASS	SOFT 225 SIMPLEX	AQUA09111225070	ean13	5945768049128
STATIE DEDURIZARE SOFT 25 TWIN Q1,3mc/h BYPASS	SOFT 25 TWIN	AQUA09120025013	ean13	5945768049135
STATIE DEDURIZARE SOFT 37 TWIN Q1,8mc/h BYPASS	SOFT 37 TWIN	AQUA09120037018	ean13	5945768049142
STATIE DEDURIZARE SOFT 50 TWIN Q2,4mc/h BYPASS	SOFT 50 TWIN	AQUA09120050024	ean13	5945768049159
STATIE DEDURIZARE SOFT 75 TWIN Q3,5mc/h BYPASS	SOFT 75 TWIN	AQUA09120075035	ean13	5945768049166
STATIE DEDURIZARE SOFT 100 TWIN Q4,0mc/h BYPASS	SOFT 100 TWIN	AQUA09120100040	ean13	5945768049173
STATIE DEDURIZARE SOFT 125 TWIN Q5,0mc/h BYPASS	SOFT 125 TWIN	AQUA09120125050	ean13	5945768049180
STATIE DEDURIZARE SOFT 175 TWIN Q5,8mc/h BYPASS	SOFT 175 TWIN	AQUA09120175058	ean13	5945768049197
STATIE DEDURIZARE SOFT 225 TWIN Q6,3mc/h BYPASS	SOFT 225 TWIN	AQUA09120225063	ean13	5945768049203

11. Traducere lb rusa

Denumire articol	ИМЯ
STATIE DEDURIZARE SOFT 75 SIMPLEX Q3,5mc/h BYPASS	СТАНЦИЯ УМЯГЧЕНИЯ SOFT 75 SIMPLEX Q3,5mc/h BYPASS
STATIE DEDURIZARE SOFT 100 SIMPLEX Q4,0mc/h BYPASS	СТАНЦИЯ УМЯГЧЕНИЯ SOFT 100 SIMPLEX Q4,0mc/h BYPASS
STATIE DEDURIZARE SOFT 125 SIMPLEX Q5,0mc/h BYPASS	СТАНЦИЯ УМЯГЧЕНИЯ SOFT 125 SIMPLEX Q5,0mc/h BYPASS
STATIE DEDURIZARE SOFT 175 SIMPLEX Q6,0mc/h BYPASS	СТАНЦИЯ УМЯГЧЕНИЯ SOFT 175 SIMPLEX Q6,0mc/h BYPASS
STATIE DEDURIZARE SOFT 225 SIMPLEX Q7,0mc/h BYPASS	СТАНЦИЯ УМЯГЧЕНИЯ SOFT 225 SIMPLEX Q7,0mc/h BYPASS
STATIE DEDURIZARE SOFT 25 TWIN Q1,3mc/h BYPASS	СТАНЦИЯ УМЯГЧЕНИЯ SOFT 25 TWIN Q1,3mc/h BYPASS
STATIE DEDURIZARE SOFT 37 TWIN Q1,8mc/h BYPASS	СТАНЦИЯ УМЯГЧЕНИЯ SOFT 37 TWIN Q1,8mc/h BYPASS
STATIE DEDURIZARE SOFT 50 TWIN Q2,4mc/h BYPASS	СТАНЦИЯ УМЯГЧЕНИЯ SOFT 50 TWIN Q2,4mc/h BYPASS
STATIE DEDURIZARE SOFT 75 TWIN Q3,5mc/h BYPASS	СТАНЦИЯ УМЯГЧЕНИЯ SOFT 75 TWIN Q3,5mc/h BYPASS
STATIE DEDURIZARE SOFT 100 TWIN Q4,0mc/h BYPASS	СТАНЦИЯ УМЯГЧЕНИЯ SOFT 100 TWIN Q4,0mc/h BYPASS
STATIE DEDURIZARE SOFT 125 TWIN Q5,0mc/h BYPASS	СТАНЦИЯ УМЯГЧЕНИЯ SOFT 125 TWIN Q5,0mc/h BYPASS
STATIE DEDURIZARE SOFT 175 TWIN Q5,8mc/h BYPASS	СТАНЦИЯ УМЯГЧЕНИЯ SOFT 175 TWIN Q5,8mc/h BYPASS
STATIE DEDURIZARE SOFT 225 TWIN Q6,3mc/h BYPASS	СТАНЦИЯ УМЯГЧЕНИЯ SOFT 225 TWIN Q6,3mc/h BYPASS